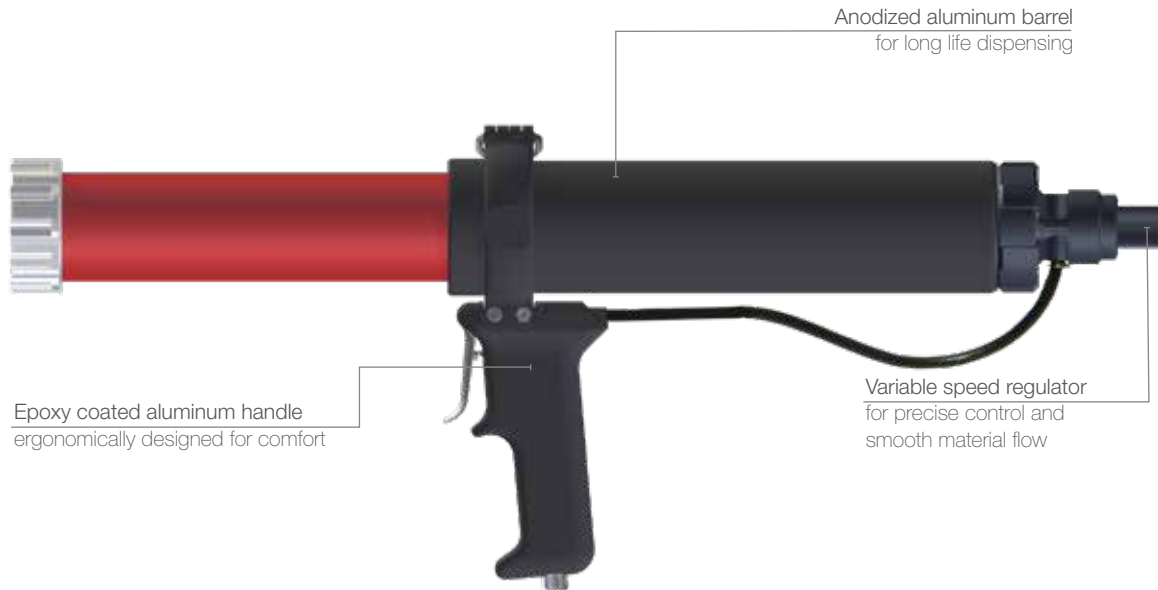




COX™ 1-Component Dispenser

AirFlow™ 1 HP Combi

A 1-component pneumatic bead dispenser for 310/400mL cartridges and 310/400/600mL sachets.



Regulators

- **Standard: 6.8bar (100psi)** ●
- Options available:
 - 3.4bar (50psi) ●
 - 5.2bar (75psi) ●
 - 8.5bar (125psi) ○

Model shown: AirFlow 1 HP Combi 310ml

Product advantages

- Variable speed regulator for precise control and smooth material flow
- Epoxy coated aluminum handle, ergonomically designed for comfort
- Anodized aluminum barrel for long life dispensing
- Fitted as standard with a 6.8bar (100psi) regulator (others available)
- Warranty up to 2 years*

Customer benefits

- Ultra high viscosity materials
- Leak free dispensing
- Piston driven rod action
- Gives you long worry free performance

Applications



Sealing



Bonding

Product by range



*effective: July 2018

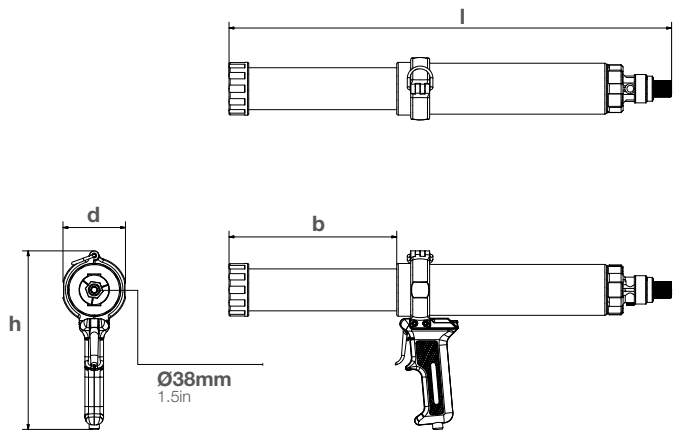
The **COX AirFlow 1 HP Combi** is part of a range of pneumatic dispensers designed for use with high viscosity sealants and adhesives.

Specifications

- Weight: 1.95-2.46kg / 4.2-5.4lbs
- Barrel Length: 216mm-362mm / 8.5in-14.3in
- Maximum Thrust: 2.2kN
- Maximum Pneumatic Pressure: 6.8bar (100psi)
- Handle Material: Epoxy Coated Aluminum
- Barrel Material: Anodized Aluminum
- Tool Component Approvals: CE, REACH
- Cartridge Capacity: 310mL (10.5oz), 400mL (13.5oz)
- Sachet Capacity: 310mL (10.5oz), 400mL (13.5oz), 600mL (20.3oz)
- Standard Color: Black/Red
- Nozzle Dimension: \varnothing 38mm / 1.5in
- Customized versions on demand

Dimensions (mm/in)

| product | height (h) | length (l) | depth (d) | barrel (b) |
|--------------|------------|------------|-----------|------------|
| HP Combi 310 | 230 /9.1 | 570 /22.4 | 80 /3.1 | 216 /8.5 |
| HP Combi 400 | 230 /9.1 | 642 /25.3 | 80 /3.1 | 251 /9.9 |
| HP Combi 600 | 230 /9.1 | 861 /33.9 | 80 /3.1 | 362 /14.3 |



Part number:

HP Combi 310
HP Combi 400
HP Combi 600

Article number:

BB2311 (61004-HP for US)
BB2400
BB2601

Packaging:

1 per Box
1 per Box
1 per Box

Matching MIXPAC™ cartridges



310ml Peeler Cartridge

| | mm | inch |
|---|--------------------|--------------------|
| a | 215.0 | 8.46 |
| b | \varnothing 50.0 | \varnothing 1.97 |

Compatible cartridges



310mL Plastic Cartridge

| | mm | inch |
|---|--------------------|--------------------|
| a | 215.0 | 8.46 |
| b | \varnothing 50.0 | \varnothing 1.97 |



310mL Sachet

| | mm | inch |
|---|--------------------|--------------------|
| a | 220.0 | 8.66 |
| b | \varnothing 50.0 | \varnothing 1.97 |



400mL Plastic Cartridge

| | mm | inch |
|---|--------------------|--------------------|
| a | 250.0 | 9.84 |
| b | \varnothing 50.0 | \varnothing 1.97 |



400mL Sachet

| | mm | inch |
|---|--------------------|--------------------|
| a | 258.0 | 10.16 |
| b | \varnothing 50.0 | \varnothing 1.97 |



600mL Sachet

| | mm | inch |
|---|--------------------|--------------------|
| a | 335.0 | 13.19 |
| b | \varnothing 50.0 | \varnothing 1.97 |

Conversion kits

Matching accessories

Nozzles - on pages 90-95.