



# COX™ 2-Component Dispenser

## VBM 200 MR

A 2-component manual 200mL dispenser for cartridges.

Epoxy coated steel frame supports cartridge



Epoxy coated aluminum handle ergonomically design for comfort

Minimum trigger pressure for effortless use

Model shown: VBM 200 MR 200mL

### Product advantages

- High quality cast aluminum handle
- Epoxy coated steel frame support support
- Sintered alloy catch plate
- Warranty up to 2 years\*

### Customer benefits

- For day long comfortable use
- For efficient dispensing
- Wear compensation device (WCD)
- Gives you long worry free performance

### Applications



Bonding



Sealing



Shimming

### Product by range

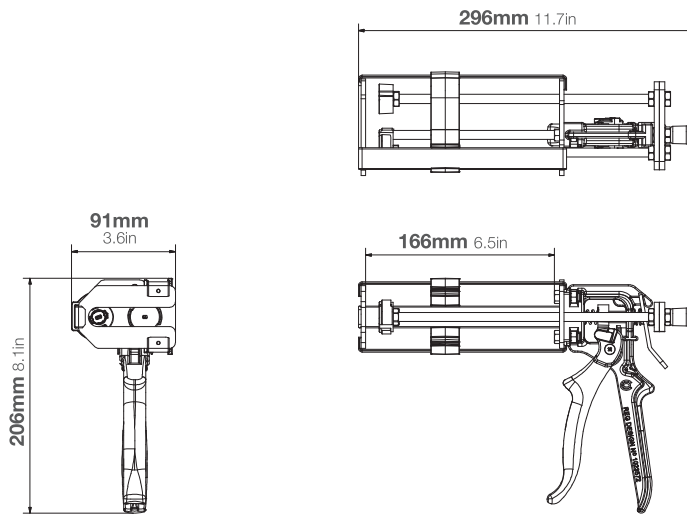


The **VBM 200 MR** is part of a range of manual bi-mixer dispensers, designed for use with medium to high viscosity sealants and adhesives.

### Specifications

- Lightweight: 1.5kg / 3.3lbs
- Cartridge Holder Length: 166mm / 4.5inch
- Maximum Thrust: 3.5kN
- Handle Material: Epoxy Coated Aluminum
- Frame Material: Epoxy Coated Steel
- Tool Component Approvals: REACH
- Cartridge Capacity: 200mL / 7.0oz
- Cartridge Ratio: 1:1, 2:1, 4:1, 10:1
- Mechanical Advantage Ratio: 18:1
- Viscosity: Medium/High
- Standard Color: Black/Blue
- Customized Versions: Yes

### Dimensions



### Part number:

M200MR (US)

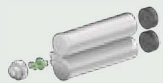
### Article number:

AP1663

### Packaging:

10 per Box / 1 per Box (US)

### Matching MIXPAC™ side-by-side cartridges



**C-System / F-System**  
200mL / 1:1 PP/PA/PBT



**C-System / F-System**  
200mL / 2:1 PP/PA

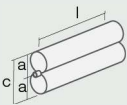


**C-System / F-System**  
200mL / 4:1 PP/BPT



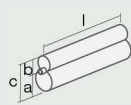
**C-System / F-System**  
200mL / 10:1 PP/BPT

### Compatible side-by-side cartridges



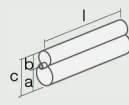
**Plastic Cartridge**  
200mL / 1:1 PP/PBT

| 1:1 | mm    | inch  |
|-----|-------|-------|
| l   | 148.0 | 5.83  |
| a   | Ø37.0 | Ø1.46 |
| c   | 79.0  | 3.11  |



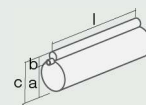
**Plastic Cartridge**  
200mL / 2:1 PP

| 2:1 | mm    | inch  |
|-----|-------|-------|
| l   | 148.0 | 5.83  |
| a   | Ø50.0 | Ø1.97 |
| b   | Ø31.0 | Ø1.22 |
| c   | 81.0  | 3.19  |



**Plastic Cartridge**  
200mL / 4:1 PP/PBT

| 4:1 | mm    | inch  |
|-----|-------|-------|
| l   | 148.0 | 5.83  |
| a   | Ø49.0 | Ø1.93 |
| b   | Ø25.0 | Ø0.98 |
| c   | 77.0  | 3.03  |



**Plastic Cartridge**  
200mL / 10:1 PP/PBT

| 10:1 | mm    | inch  |
|------|-------|-------|
| l    | 147.0 | 5.79  |
| a    | Ø55.0 | Ø2.17 |
| b    | Ø19.0 | Ø0.75 |
| c    | 78.0  | 3.07  |

### Conversion kits

Conversion kit included

### Matching accessories