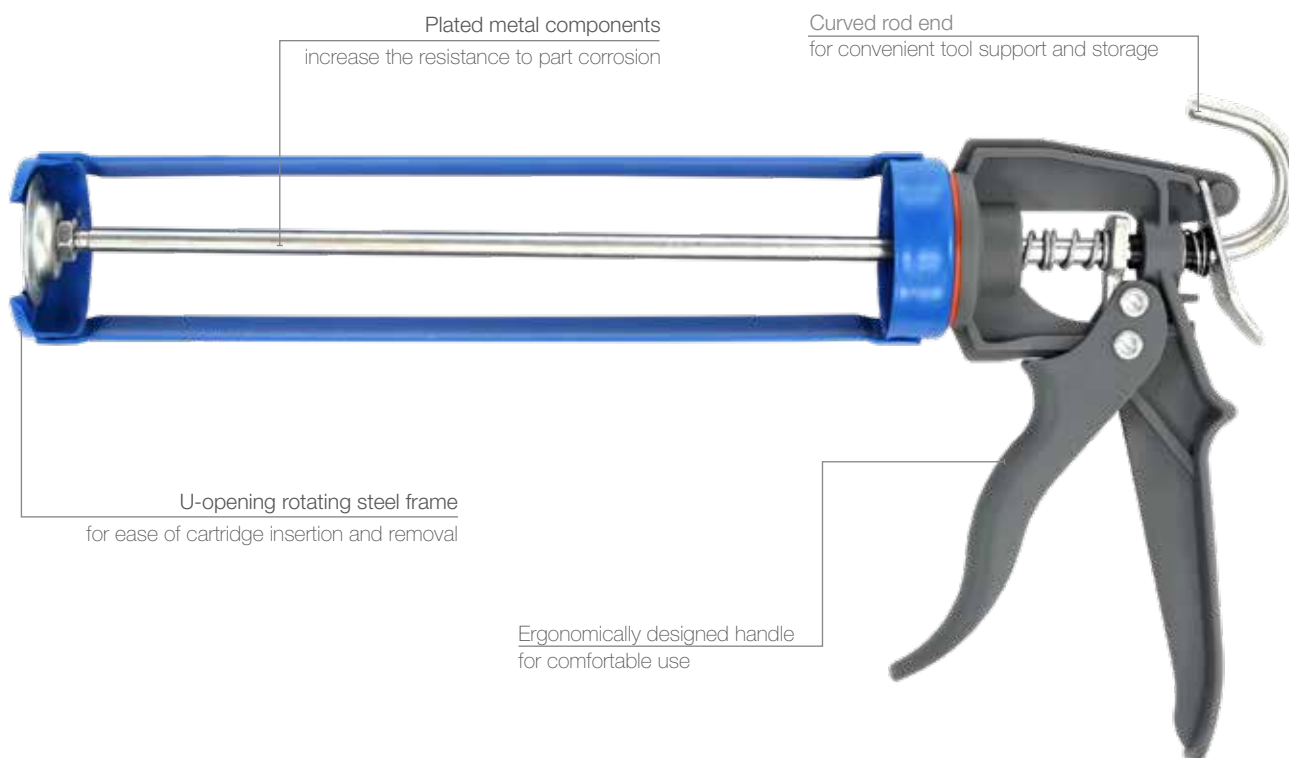




# COX™ 1-Component Dispenser

## MidiFlow™ Cartridge

A 1-component manual bead dispenser for 310/400mL cartridges.



Model shown: MidiFlow Cartridge 400mL

### Product advantages

- Ergonomically designed handle for comfortable use
- U-opening rotating steel frame for ease of cartridge insertion and removal
- Curved rod end for convenient tool support and storage
- Plated metal components increase the resistance to part corrosion
- Warranty up to 2 years\*

### Customer benefits

- Lightweight highly durable
- Surface hardened catch plate and rod design maintains high material output
- Wear compensation sleeve for increased durability
- Smooth trigger operation
- Rotating frame to help follow contours
- Gives you long worry free performance

### Applications

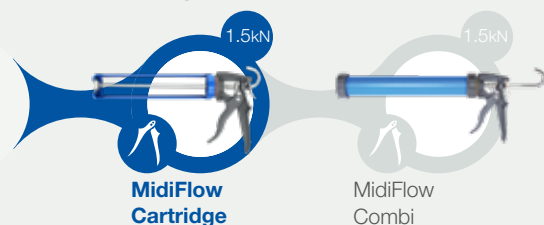


Sealing



Bonding

### Product by range



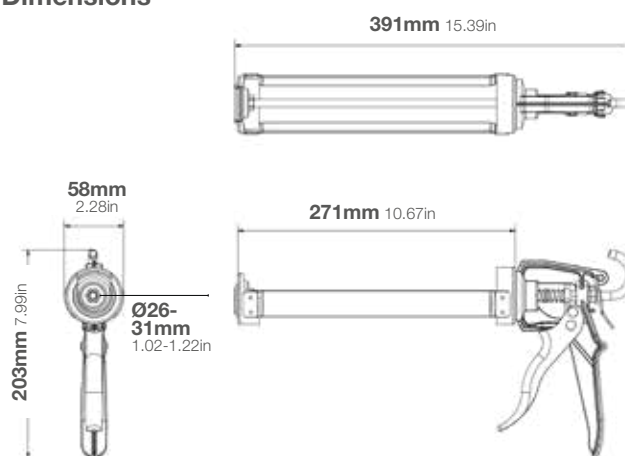
\*effective: July 2018

The **MidiFlow Cartridge** range offers a fully interchangeable dispenser allowing the user complete flexibility between sealant systems.

### Specifications

- Weight 0.67kg / 1.5lbs
- Frame Length: 271mm / 10.67in
- Maximum Thrust: 1.5kN
- Handle Material: Glass Fiber Reinforced Nylon
- Frame Material: Epoxy Coated Steel
- Tool Component Approvals: REACH
- Cartridge Capacity: 310mL (10.5oz), 400mL (13.5oz)
- Mechanical Advantage Ratio: (10:1)
- Standard Color: Blue/Grey
- Nozzle Dimension:  $\varnothing 26$ - $\varnothing 31$ mm / 1.02-1.22in
- Customized versions on demand

### Dimensions



### Part number:

Cart 310/400mL

### Article number:

MF1401

### Packaging:

10 per Box

### Matching MIXPAC™ cartridges

### Compatible cartridges



310mL Plastic Cartridge

	mm	inch
a	215.0	8.46
b	$\varnothing 50.0$	$\varnothing 1.97$



400mL Plastic Cartridge

	mm	inch
a	250.0	9.84
b	$\varnothing 50.0$	$\varnothing 1.97$

### Conversion kits

-

### Matching accessories

Nozzle extension / twisty nozzle on pages 90-95.