



COX™ 1-Component Dispenser

PowerFlow™ HP Combi

A 1-component manual bead dispenser for 310/400mL cartridges and 400/600mL sachets.



Model shown: PowerFlow HP Combi 600mL

Product advantages

- High quality epoxy coated cast aluminum handle for day-long comfortable use
- Anodized aluminum barrel accommodates cartridges and sachets
- Switchable Pressure Relief Device (PRD) prevents material run-on when trigger is released
- Easily converted from sachet to cartridge
- Warranty up to 2 years*

Customer benefits

- Lightweight highly durable
- Maximum use of sealant with minimum waste
- Fast efficient dispensing
- Contoured handle and trigger grip for ease of use
- Gives you long worry free performance

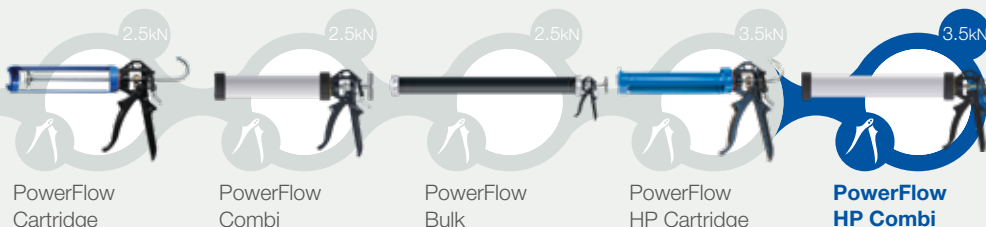
Applications



Sealing

Bonding

Product by range



*effective: July 2018

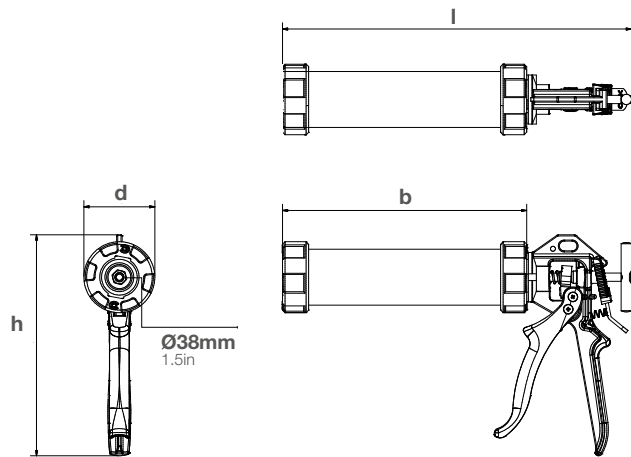
The **COX PowerFlow HP Combi** is part of a range of high-powered manual dispensers. Designed for use with low-high viscosity sealants and adhesives.

Specifications

- Weight: 0.9-1.1kg / 2.0-2.3lbs
- Barrel Length: 274mm-382mm / 10.8in-15.0in
- Maximum Thrust: 3.5kN
- Handle Material: Epoxy Coated Aluminum
- Barrel Material: Anodized Aluminum
- Tool Component Approvals: REACH
- Cartridge Capacity: 310mL (10.5oz), 400mL (13.5oz)
- Sachet Capacity: 400mL (13.5oz), 600mL (20.3oz)
- Mechanical Advantage Ratio: (18:1)
- Standard Color: Black/Grey
- Nozzle Dimension: \varnothing 38mm / 1.5in
- Customized versions on demand

Dimensions (mm/in)

product	height (h)	length (l)	depth (d)	barrel (b)
Combi 400 HP	213 /8.4	376 /14.8	69 /2.7	274 /10.8
Combi 600 HP	213 /8.4	493 /19.4	69 /2.7	382 /15.0



Part number:

Combi 400 HP
Combi 600 HP

Article number:

AJ2502 (51000-400XT for US)
AJ4001 (51001-XT for US)

Packaging:

1 or 5/10 per Box (1 per Box for US)
1 or 5/10 per Box (1 per Box for US)

Matching MIXPAC™ cartridges

Compatible cartridges and sachets



310mL Plastic Cartridge

	mm	inch
a	215.0	8.46
b	\varnothing 50.0	\varnothing 1.97



400mL Plastic Cartridge

	mm	inch
a	250.0	9.84
b	\varnothing 50.0	\varnothing 1.97



400mL Sachet

	mm	inch
a	258.0	10.16
b	\varnothing 50.0	\varnothing 1.97



600mL Sachet

	mm	inch
a	335.0	13.19
b	\varnothing 50.0	\varnothing 1.97

Conversion kits

Matching accessories

Nozzle extension / White Cone / Yellow Cone / Twisty nozzle on page 90-95.