

Technical Data Sheet (V-2)



ADoST CDS Pro

A pressure-time semi-automatic dispenser for low to medium viscous adhesives

14th June 2024

Product Description

ADoST CDS Pro is an advanced semi-automatic dual cartridge dispensing system designed and developed to apply fixed volume of adhesive in a high-speed production line without having to hold dispenser manually. ADoST CDS Pro improves application efficiency while nearly eliminating worker fatigue. With ADoST CDS Pro, end users can apply as little as 0.02gm of adhesive volume consistently with just the press of a button.

ADoST CDS Pro comes with an optional auto purge feature that can be pre-programmed to dispense out the adhesive trapped inside static mixer during lunch breaks or shift change. This feature enables enhanced mixer life and reduced material wastage. Dual cartridges of 400ml and 490ml cartridges in 1:1, 2:1, 4:1 and 10:1 mix ratios can be dispensed as standard.



Applications

ADoST CDS PRO is designed to be used with low to medium viscous products having viscosities up to 45000cps. This unit is designed to efficiently dispense products of all cure pattern, however while dispensing very fast curing products (pot life ~5min or less), it is recommended to connect with our local application engineer or central technical services.

- Potting
- Encapsulation
- Bonding



Product Features

- Offers both timer and manual control mode
- Provides repeatable dose within +/- 0.005gm (tested with low viscous materials).
- Minimum dispensing shot size 0.02gm.
- Programmable up to 50 in numbers.
- Sensor for part detection (optional)
- Settings are password protected
- 4.3" user-friendly digital display
- Height Adjustment Bench top stand.
- Large foot pedal

Technical Data

Model Number	ADoST-CDS-PRO
Power Supply	Min:100 VAC, Nominal:230 VAC, Max 275VAC
Size (Metric)	450mmx300mmx950mm
Weight	19 Kg
Operating Air Pressure	6 Bar (Max.)
Ambient temperature range	10°C to +45°C
Response time	0.02s
Usage	Indoor use
Minimum Dispense Size	0.020gm (Medium Viscosity)
Accuracy	+/-0.006gm (Medium viscous material, low dispensing volume) +/-0.02gm (Medium viscous material, high dispensing volume)
Recommended for	Two-component Adhesive

System Includes

- CDS-PRO Machine
- Pneumatic gun
- 6mm pneumatic pipe of ½ meter
- Foot Switch
- 8, 10 and 12mm hose connectors
- ADoST Pinch Valve
- ADoST Pinch Valve Stand
- Operation manual (only soft copy)
- Emergency Switch

Accessories (Separate Purchase)

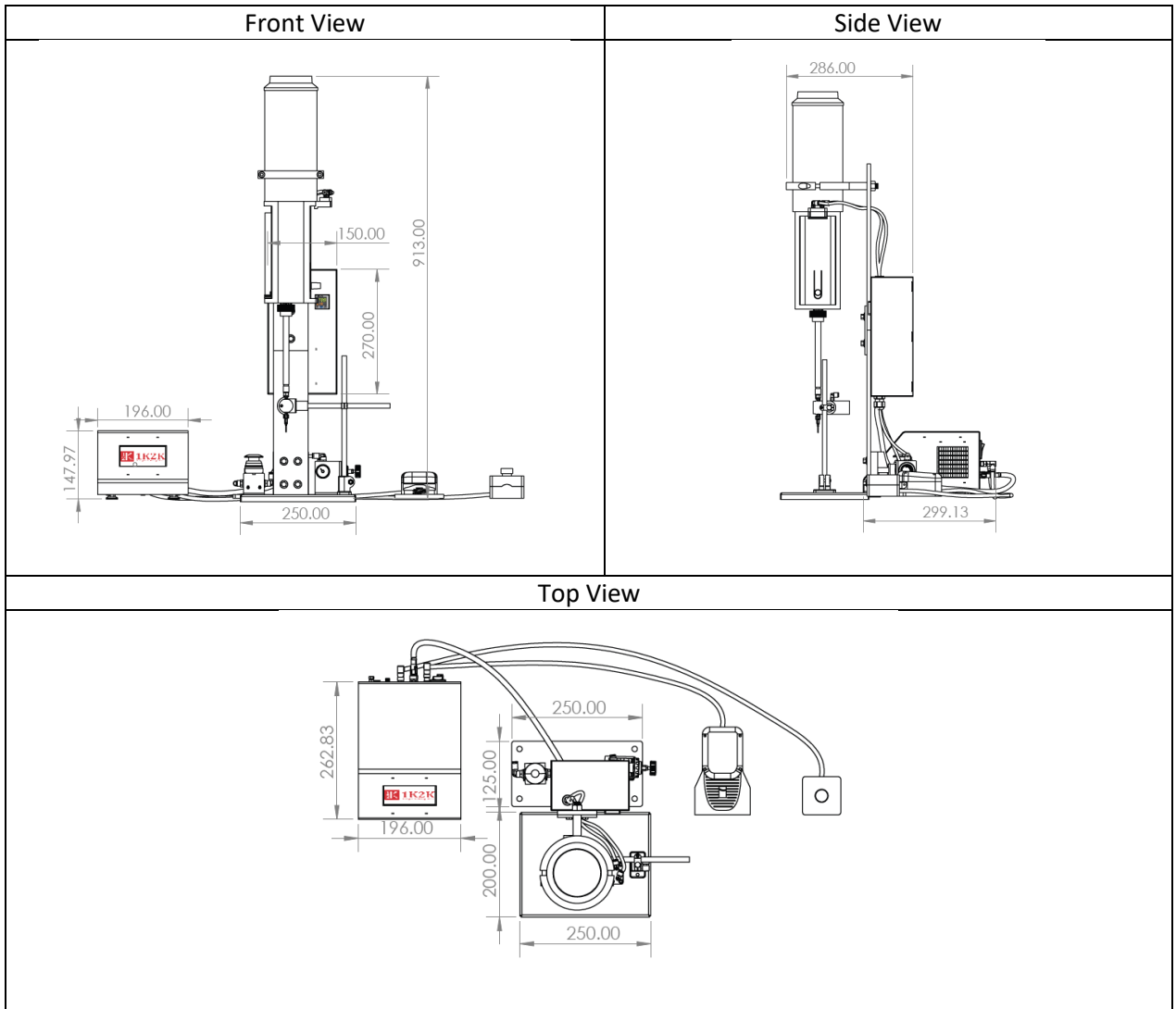
- Pen
- Pen Stand
- Mounting Plate
- Sensor with connector (Application specific)
- Sensor holder (Application specific)

Consumables (Separate Purchase)

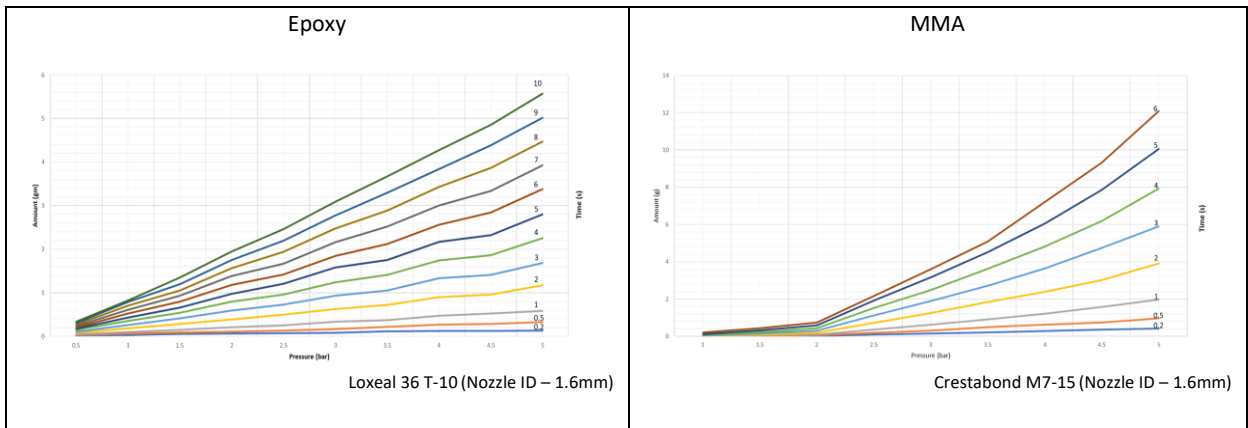
- Pinch Tube
- Luer Lock
- Nozzle
- Pinch Tube Luer barb connector
- Static Mixer

Detailed Dimensions

All dimensions are in mm



Pressure-Time volume graph





Warranty

ADoST CDS-PRO is guaranteed against any defects in workmanship and material for a period of one year from the date of supply.

Customization

All ADoST dispensing equipment are designed to be flexible and specific customization may be possible against customer requests at added cost. However, only ADoST's R&D team is authorized to issue written confirmation/acceptance of any customization.

Disclaimer

1K2K Dosing and Dispensing Private Limited believes the technical advice provided by the company and the information contained herein is reliable and accurate. However, 1K2K Dosing and Dispensing Private Limited makes no warranties, expressed or implied nor should be inferred regarding the accuracy of the information. The user is responsible to competently test the product and determine the quality and suitability for their intended use. 1K2K Dosing and Dispensing Private Limited assumes no liability regarding the handling and use of this product