

Technical Data Sheet (V-2)



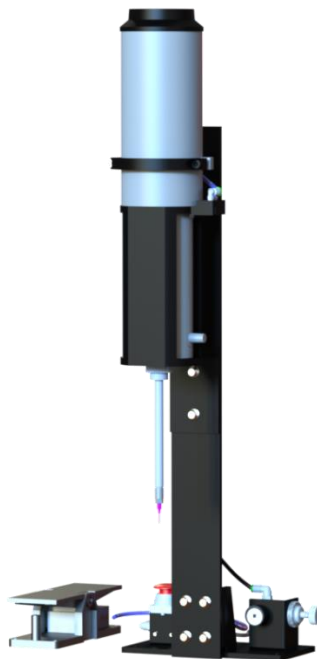
ADoST CDS

A manually operated dispenser for medium to high viscous two component adhesives

14th June 2024

Product Description

ADoST CDS is a dual cartridge dispensing system designed and developed for manual dispensing of two component adhesives such as epoxy and MMA. ADoST CDS improves application efficiency while nearly eliminating worker fatigue. With ADoST CDS, end users can apply adhesive ergonomically with just the press of a button. Dual cartridges of 400ml and 490ml cartridges in 1:1, 2:1, 4:1 and 10:1 mix ratios can be dispensed as standard offering.



Applications

ADoST CDS is designed to be used with medium to high viscous products. This unit is designed to efficiently dispense products of all cure pattern, however while dispensing very fast curing (pot life ~5min or less) or low viscous products, it is recommended to connect with our local application engineer or central technical services.

- Potting
- Encapsulation
- Bonding

Product Features

- Ergonomical
- Height adjustable bench top stand.
- Upgradable to incorporate Valve and Sensor
- Large foot pedal

Technical Data

Model Number	ADoST-CDS
Size (Metric)	250x141x750mm
Weight	10 Kg
Operating Air Pressure	6 Bar (Max.)
Ambient temperature range	10°C to +45°C
Response time	0.02s
Usage	Indoor use
Suitable for Adhesive Type	Two-component Adhesive
Minimum Dispense Size	0.020gm (Medium Viscosity)

System Includes

- Foot Switch
- 6mm pneumatic pipe of ½ meter
- Operation manual (only soft copy)
- Pneumatic Gun
- 8, 10 and 12mm hose connectors

Accessories (Separate Purchase)

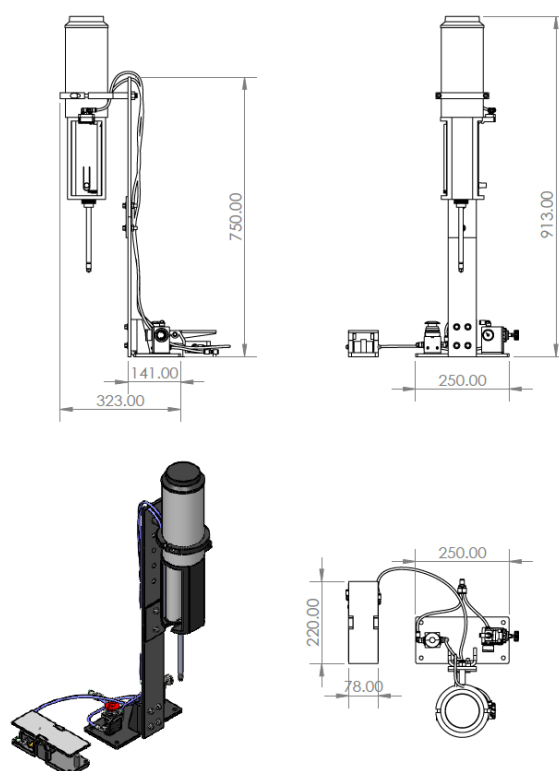
- Pinch valve
- Pen Holder
- Mounting Plate
- Pinch Valve stand
- Pen

Consumables (Separate Purchase)

- Pinch Tube
- Luer Lock
- Nozzle
- Luer barb connector
- Static Mixer

Detailed Dimensions

All dimensions are in mm





Warranty

ADoST CDS is guaranteed against any defects in workmanship and material for a period of one year from the date of supply.

Customization

All ADoST dispensing equipment are designed to be flexible and specific customization may be possible against customer requests at added cost. However, only ADoST's R&D team is authorized to issue written confirmation/acceptance of any customization.

Disclaimer

1K2K Dosing and Dispensing Private Limited believes the technical advice provided by the company and the information contained herein is reliable and accurate. However, 1K2K Dosing and Dispensing Private Limited makes no warranties, expressed or implied nor should be inferred regarding the accuracy of the information. The user is responsible to competently test the product and determine the quality and suitability for their intended use. 1K2K Dosing and Dispensing Private Limited assumes no liability regarding the handling and use of this product