

Technical Data Sheet (V-2)



ADoST PPS-NXT

A semi-automatic pressure-time dispenser for low to medium viscous adhesives

17th June 2024

Product Description

ADoST PPS NXT is an electro-pneumatically operated semi-automatic pressure-time system designed and developed to apply fixed volume of adhesive in a high-speed assembly line. ADoST PPS-NXT offers the industry leading repeatability and advanced features in dispensing single component adhesives. The volume of adhesive to be dispensed can be preset by adjusting the input pressure and dispense time. The system is designed to accommodate products in 50ml, 250ml and 500ml bottles. ADoST PPS NXT's advanced features allow this system to be integrated with bench-top robots for fully automatic operation.



Applications

ADoST PPS NXT is designed to be used with low to medium viscous products in following Base chemistries.

- Cyanoacrylate adhesives
- Anaerobic adhesives
- Ultraviolet (UV) curing adhesives

Product Features

- Offers both timer and manual mode
- Provides repeatable dose within +/- 0.005gm (tested with low viscous materials).
- Minimum dispensing shot size 0.007gm.
- Programmable up to 50 in numbers.
- Low level sensor.
- Slide valve for quick charging and exhaust
- Sensor for part detection (optional)
- Settings are password protected
- 4.3" user-friendly digital display

Technical Data

Model Number	ADoST-PPS-NXT-23-2P	ADoST-PPS-NXT-46-6P
Power Supply	Min:100 VAC, Nominal:230 VAC, Max 275VAC	
Size (Metric)	MCU (300X196X138mm), SCU (410X365X240mm)	
Weight	9.7 Kg	
Ambient temperature range	10°C to +45°C	
Response time	0.02s	
Usage	Indoor use	
Operating Air Pressure	2 Bar (Max.)	6 Bar (Max.)
Minimum Dispense Size	0.018gm	
Accuracy	+/-0.005gm	
Pinch Tube ID	2mm	4mm
Recommended adhesive	Cyanoacrylate Adhesive	Anaerobic/UV Adhesive

System Includes

- Pressure Pot with base plate
- Emergency Switch
- MCU
- Foot Switch
- 6mm pneumatic pipe of ½ meter
- 8, 10 and 12mm hose connectors
- SCU
- Required pneumatic and electrical connectors
- Pinch Valve
- Pinch Valve Stand
- Operation manual (only soft copy)

Accessories (Separate Purchase)

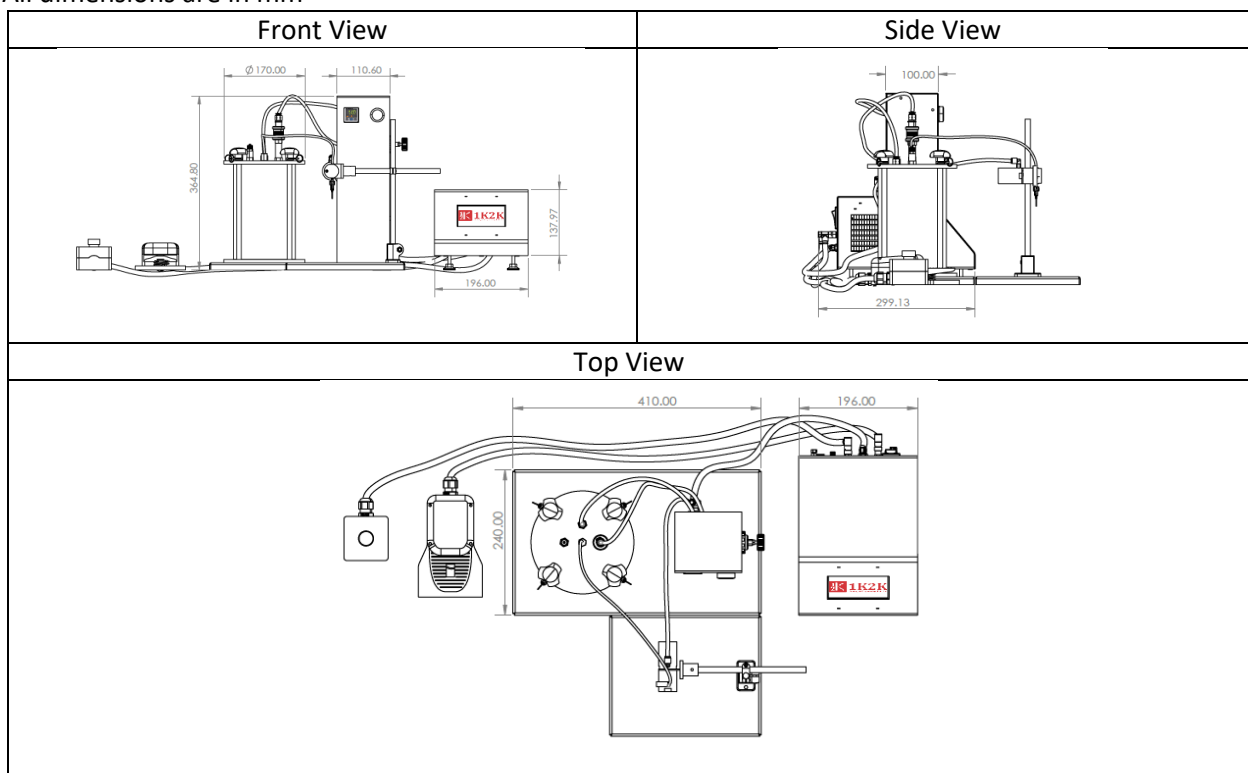
- Pen
- Sensor
- Pen Stand

Consumables (Separate Purchase)

- Pinch Tube
- Luer Lock
- Pinch Tube Luer barb connector
- Nozzle

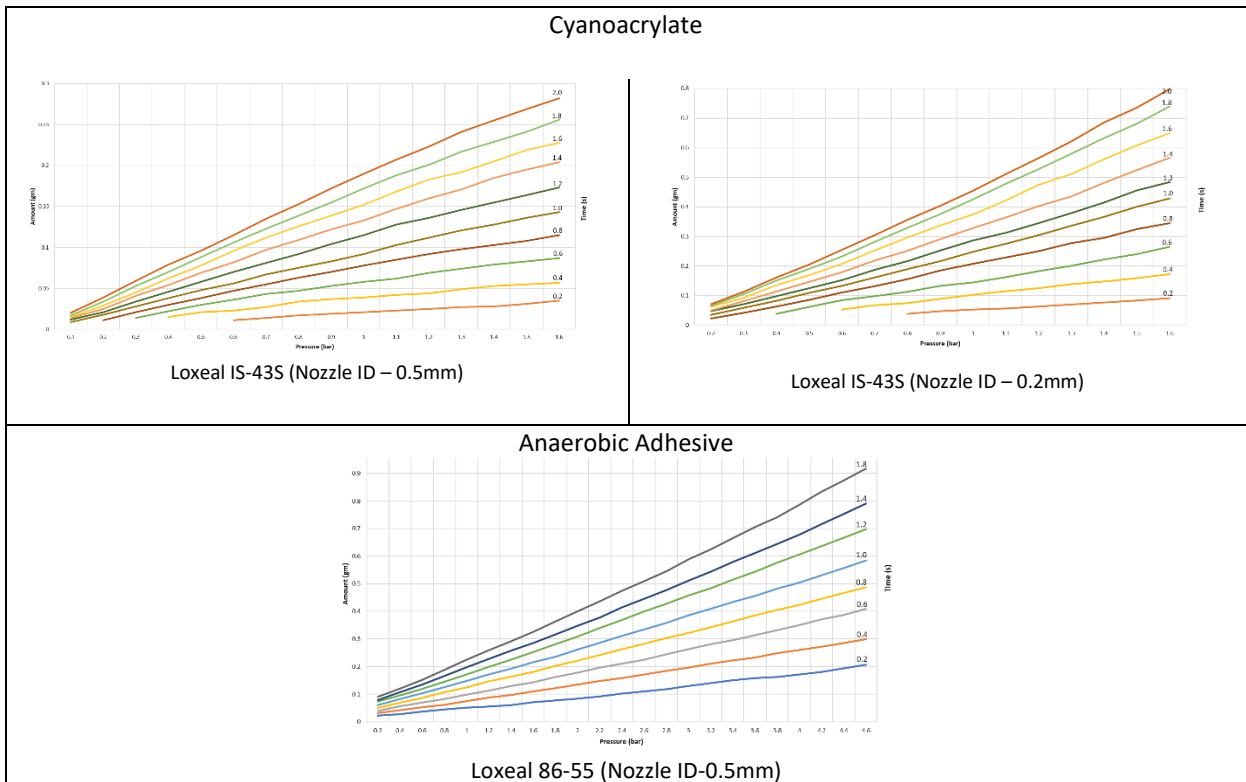
Detailed Dimensions

All dimensions are in mm

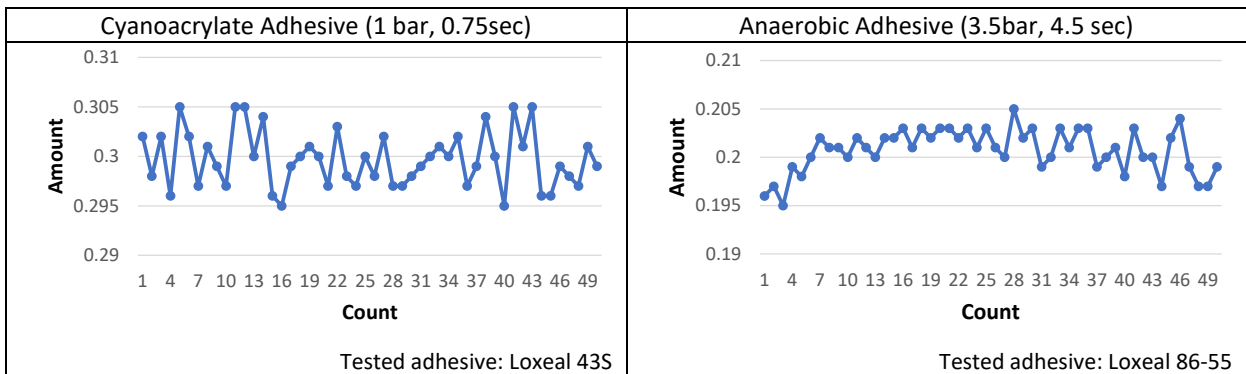




Pressure-Time volume graph



Repeatability Graph



Note: All the tests are performed under lab conditions

Warranty

ADoST PPS-NXT is guaranteed against any defects in workmanship and material for a period of one year from the date of supply.

Customization

All ADoST dispensing equipment are designed to be flexible and specific customization may be possible against customer requests at added cost. However, only ADoST's R&D team is authorized to issue written confirmation/acceptance of any customization.

Disclaimer

1K2K Dosing and Dispensing Private Limited believes the technical advice provided by the company and the information contained herein is reliable and accurate. However, 1K2K Dosing and Dispensing Private Limited makes no warranties, expressed or implied nor should be inferred regarding the accuracy of the information. The user is responsible to competently test the product and determine the quality and suitability for their intended use. 1K2K Dosing and Dispensing Private Limited assumes no liability regarding the handling and use of this product