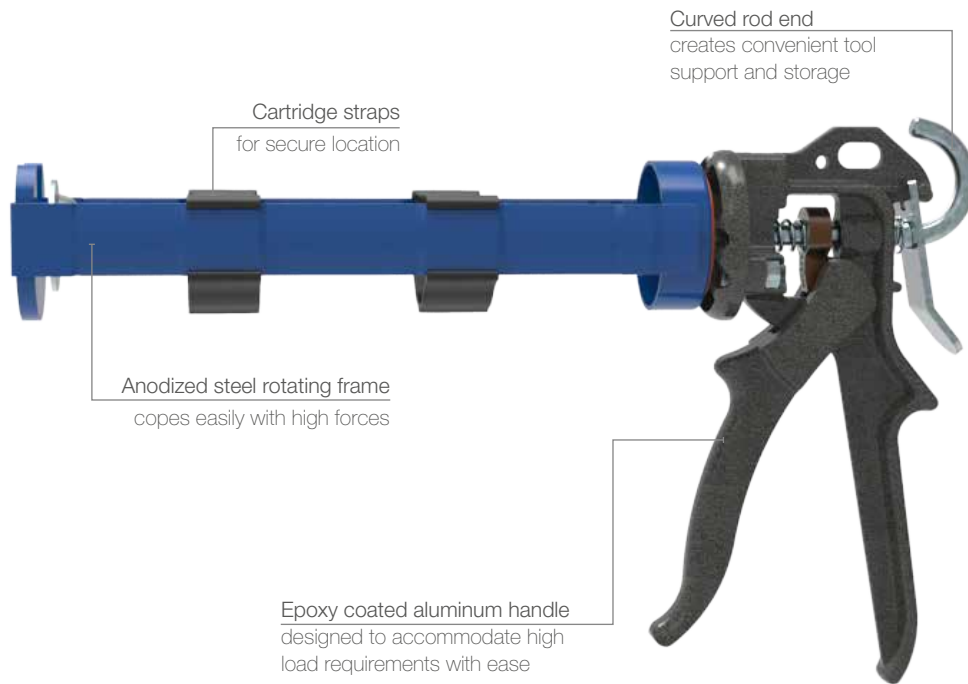




COX™ 1-Component Dispenser

UltraFlow™ Cartridge

A 1-component manual bead dispenser for 310mL cartridges.



Model shown: UltraFlow Cartridge 310mL

Product advantages

- Epoxy coated aluminum handle designed to accommodate high load requirements with ease
- Anodized steel rotating frame – copes easily with high forces
- Cartridge straps for secure location
- Curved rod end creates convenient tool support and storage
- Warranty up to 2 years*

Customer benefits

- Hardened and metal plated parts to increase corrosion resistance
- Versatile easy to use with high viscosity materials
- Fast efficient sealant dispensing
- Powerful 25:1 trigger ratio for easy application
- Automatic wear compensation, for long tool life
- Gives you long worry free performance

Applications

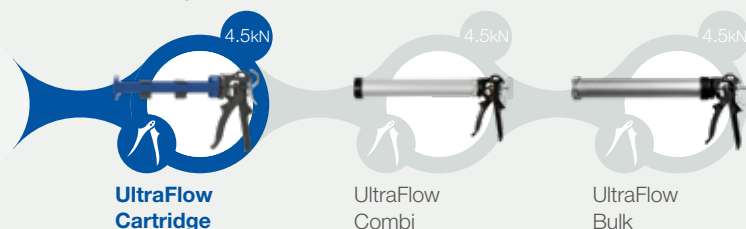


Sealing



Bonding

Product by range



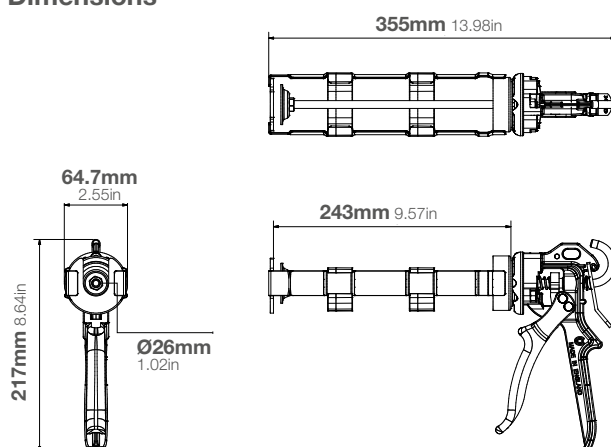
*effective: July 2018

The **COX UltraFlow Cartridge** is part of a range of high-powered manual dispensers. Designed for use with medium to high viscosity sealants and adhesives.

Specifications

- Weight: 0.90kg / 1.34lbs
- Frame Length: 243mm / 9.57in
- Maximum Thrust: 4.5kN
- Handle Material: Epoxy Coated Aluminum
- Frame Material: Anodized Steel
- Tool Component Approvals: REACH
- Cartridge Capacity: 310mL (10.5oz)
- Mechanical Advantage Ratio: (25:1)
- Standard Color: Blue/Black
- Nozzle Dimension: $\varnothing 26\text{mm}$ / 1.02in
- Customized versions on demand

Dimensions



Part number:

Cart 310/400mL

Article number:

BE1001 (41004-2T for US)

Packaging:

1 or 5/10 per Box (6 per Box for US)

Matching MIXPAC™ cartridges



310mL Peeler Cartridge

| | mm | inch |
|---|--------------------|--------------------|
| a | 215.0 | 8.46 |
| b | $\varnothing 50.0$ | $\varnothing 1.97$ |

Compatible cartridges



150mL Co-axial Cartridge

| | mm | inch |
|---|--------------------|--------------------|
| a | 117.0 | 4.61 |
| b | $\varnothing 51.0$ | $\varnothing 2.01$ |



310mL Plastic Cartridge

| | mm | inch |
|---|--------------------|--------------------|
| a | 215.0 | 8.46 |
| b | $\varnothing 50.0$ | $\varnothing 1.97$ |

Conversion kits

-

Matching accessories

Nozzle extension / twisty nozzle on pages 90-95.