



COX™ 1-Component Dispenser

AirFlow™ 1 Cartridge

A 1-component pneumatic bead dispenser for 310mL cartridges.



Epoxy coated aluminum handle ergonomically designed for comfort

Anodized aluminum barrel lightweight and long life

Variable speed regulator for precise control and smooth material flow

Regulators

- **Standard: 6.8bar (100psi)** ●
- Options available:
 - 3.4bar (50psi) ●
 - 5.2bar (75psi) ●
 - 8.5bar (125psi) ○

Model shown: AirFlow 1 Cartridge 310mL

Product advantages

- Variable speed regulator for precise control and smooth material flow
- Epoxy coated aluminum handle, ergonomically designed for comfort
- Anodized aluminum barrel, lightweight and long life
- Fitted as standard with a 6.8bar (100psi) regulator (others available)
- Warranty up to 2 years*

Customer benefits

- Lightweight and compact offering easy access into compact spaces
- Direct acting mechanism – air pressure applied direct to plunger
- Gives you long worry free performance

Applications



Sealing

Bonding

Product by range



AirFlow 1 Cartridge

AirFlow 1 Sachet

AirFlow 1 Combi

AirFlow 1 Bulk

AirFlow 1 HP Combi

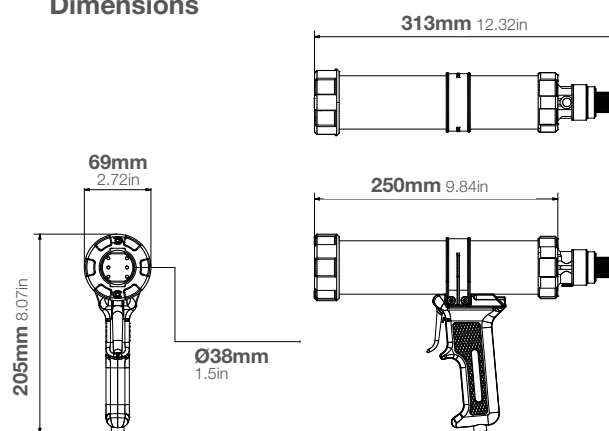
*effective: July 2018

The **COX AirFlow 1 Cartridge** is part of a range of pneumatic dispensers designed for use with low viscosity sealants and adhesives.

Specifications

- Weight: 0.62kg / 1.4lbs
- Barrel Length: 250mm / 9.84in
- Maximum Thrust: 1.3kN
- Maximum Pneumatic Pressure: 6.8bar (100psi)
- Handle Material: Epoxy Coated Aluminum
- Barrel Material: Anodized Aluminum
- Tool Component Approvals: CE, REACH
- Cartridge Capacity: 310mL (10.5oz)
- Standard Color: Black/Grey
- Nozzle Dimension: $\varnothing 38\text{mm}$ / 1.5in
- Customized versions on demand

Dimensions



Part number:

Cartridge 310

Article number:

AK1000

Packaging:

1 per Box

Matching MIXPAC™ cartridges

Compatible cartridges



310mL Plastic Cartridge

	mm	inch
a	215.0	8.46
b	$\varnothing 50.0$	$\varnothing 1.97$

Conversion kits

Matching accessories

Nozzles - can on pages 90-95.