



MIXPAC™ 2-Component Dispenser

MIXPAC™ DMA/DMB

A manual dispenser for A and B-System cartridges.

Cartridge Support

Flap designed for maximum cartridge support and for easy cartridge exchange

Plunger System

Easy to exchange

Release Button

Easily accessible with one hand

Trigger

Dual drive to ensure even high viscosity materials maintain their mixing ratio

Ergonomic Handle

For maximum comfort



Product advantages

- Designed specifically for Mixpac A and B system cartridges
- High gearing ratio
- One-handed operation
- Warranty up to 2 years*

Customer benefits

- Easy cartridge positioning and fixation
- Swift and easy to use, clean application
- Ergonomic
- Can easily be converted into all 50mL and 75mL A and B system ratios.
- Easily customized with customer print
- Gives you long worry free performance

Applications



Bonding



Sealing



Repair

Product by range



Manual Dispenser
DMA 51-00-10

Manual Dispenser
DMA 54-00-10

Manual Dispenser
DMA 59-00-10

Manual Dispenser
DMA 75-00-10

Manual Dispenser
DMB 50-04-01

Manual Dispenser
DMB 50-10-01

*effective: July 2018

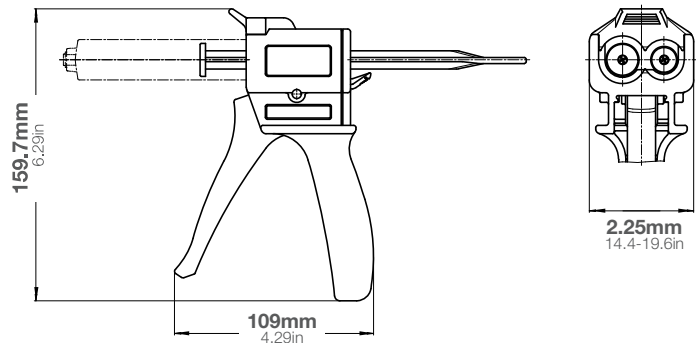
The MIXPAC™ DMA/DMB - designed to provide reliable 2-component dispensing.

Specifications

- Weight 184g / 0.41lbs
- Length: 109mm / 4.3in
- Tool material: PBT & reinforced nylon
- Cartridge capacity: 50/75mL
- Cartridge ratio: 1:1/2:1/4:1/10:1

Part number:	Article number:	Ratio			
		1:1	2:1	4:1	10:1
DMA 51-00-10	101875	✓	✓		
DMA 54-00-10	101883	✓	✓	✓	
DMA 59-00-10	112790	✓	✓		✓
DMA 75-00-10	111746	✓			
DMB 50-04-01	116795			✓	
DMB 50-10-01	116794				✓

Dimensions



Packaging:

Packed individually 64 units per master carton (50ml)
Packed individually 32 units per master carton (75ml)

Matching MIXPAC™ side by side cartridges



A-System
50mL / 1:1 PP/PA



A-System
50mL / 2:1 PP/PA



A-System
50mL / 4:1 PP/PA



A-System
50mL / 10:1 PP/PA/PBT



A-System
75mL / 1:1 PP

B-System



B-System
50mL / 1:1 PP/PA



B-System
50mL / 2:1 PP



B-System
50mL / 4:1 PP/PBT



B-System
50mL / 10:1 PP/PBT

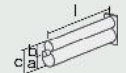
Other matching cartridges

A System



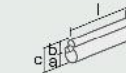
Plastic Cartridge
50mL / 1:1 PP/PA

1:1	mm	inch
l	103	4.06
a	Ø 21	Ø 0.83
c	46	1.81



Plastic Cartridge
50mL / 4:1 PP/PA

2:1	mm	inch
l	105	4.13
a	Ø 25	Ø 0.98
b	Ø 18	Ø 0.71
c	46	1.81



Plastic Cartridge
50mL / 4:1 PP/PA

4:1	mm	inch
l	106	4.17
a	Ø 25	Ø 0.98
b	Ø 13	Ø 0.51
c	46	1.81



Plastic Cartridge
50mL / 10:1 PP/PA/PBT

10:1	mm	inch
l	106	4.17
a	Ø 25	Ø 0.98
b	Ø 9	Ø 0.35
c	46	1.81



Plastic Cartridge
75mL / 1:1 PP

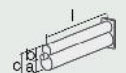
1:1	mm	inch
l	218	8.58
a	Ø 21	Ø 0.83
c	46	1.81

B System



Plastic Cartridge
50mL / 1:1 PP/PA

1:1	mm	inch
a	107	4.21
b	46	1.81
c	Ø 22	Ø 0.87



Plastic Cartridge
50mL / 2:1 PP

2:1	mm	inch
a	106	4.17
b	46	1.81
c	Ø 25	Ø 0.98
d	Ø 18	Ø 0.71



Plastic Cartridge
50mL / 4:1 PP/PBT

4:1	mm	inch
a	127	5.00
b	46	1.81
c	Ø 25	Ø 0.98
d	Ø 13	Ø 0.51



Plastic Cartridge
50mL / 10:1 PP/PBT

10:1	mm	inch
a	128	5.04
b	46	1.81
c	Ø 25	Ø 0.98
d	Ø 9	Ø 0.35

Conversion kits

PLA 050-01, PLA 050-04, PLA 050-10, PLA 075-01, PLB 50-04, PLB 50-10, See page 22.

Matching accessories

All accessories are displayed on page 22.