



COX™ 2-Component Dispenser

VBM 400 MR

A 2-component manual 400mL dispenser for cartridges.

Epoxy coated steel frame supports cartridge



Epoxy coated aluminum handle ergonomically design for comfort

Minimum trigger pressure for effortless use

Model shown: VBM 400 MR 400mL

Product advantages

- High quality cast aluminum handle
- Epoxy coated steel frame support
- Sintered alloy catch plate
- Warranty up to 2 years*

Customer benefits

- For day long comfortable use
- For efficient dispensing
- Wear compensation device (WCD)
- Gives you long worry free performance

Applications



Bonding



Sealing



Shimming

Product by range



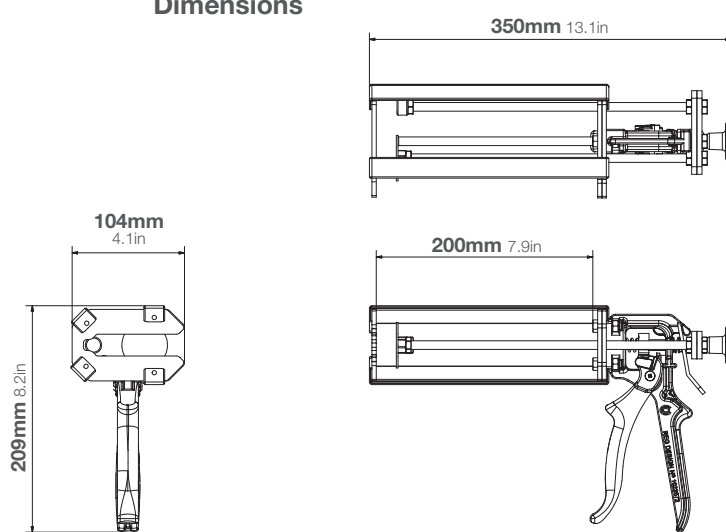
*Effective 1st July 2018

The **VBM 400 MR** is part of a range of manual bi-mixer dispensers, designed for use with medium to high viscosity sealants and adhesives.

Specifications

- Lightweight: 1.7kg / 3.6lbs
- Cartridge Holder Length: 200mm / 7.9in
- Maximum Thrust: 3.5kN (8mm/s)
- Handle Material: Epoxy Coated Aluminum
- Frame Material: Epoxy Coated Steel
- Tool Component Approvals: REACH
- Cartridge Capacity: 400mL (14.0oz)
- Cartridge Ratio: 1:1, 2:1, 4:1, 10:1
- Mechanical Advantage Ratio: 18:1
- Viscosity: Medium/High
- Standard Color: Black/Blue
- Customized Versions: Yes

Dimensions



Part number:

-
-
VBM MR 400
-

Colour:

black/blue

Article number:

AP14101 (1:1)
AP14102 (2:1)
AP14104 (4:1)
AP14110 (10:1)

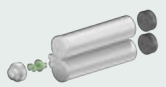
Colour:

black/red
black/red
black/red
black/red

Packaging:

10 per box/1 per box (US)

Matching MIXPAC™ side-by-side cartridges



C-System / F-System
400mL / 1:1 PP/PA/PBT



C-System / F-System
400mL / 2:1 PP/PA



C-System / F-System
400mL / 4:1 PP/BPT



C-System / F-System
400mL / 10:1 PP/BPT

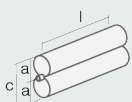


Bluline
400mL 2:1

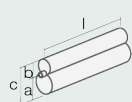


Bluline
400mL 10:1

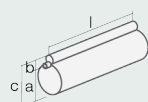
Compatible side-by-side cartridges



Plastic Cartridge
400mL / 1:1 PP/PBT



Plastic Cartridge
400mL / 2:1 PP



Plastic Cartridge
400mL / 10:1 PP/PBT

	1:1		2:1		10:1	
	mm	inch	mm	inch	mm	inch
l	185.0	7.28	185.0	7.28	185.0	7.28
a	Ø45.0	Ø1.77	Ø47.0	Ø1.85	Ø65.0	Ø2.56
b	93.0	3.66	Ø33.0	Ø1.3	Ø19.5	Ø0.77
c			96.0	3.78	94.0	3.7

Conversion kits

Conversion kit included

Matching accessories

-